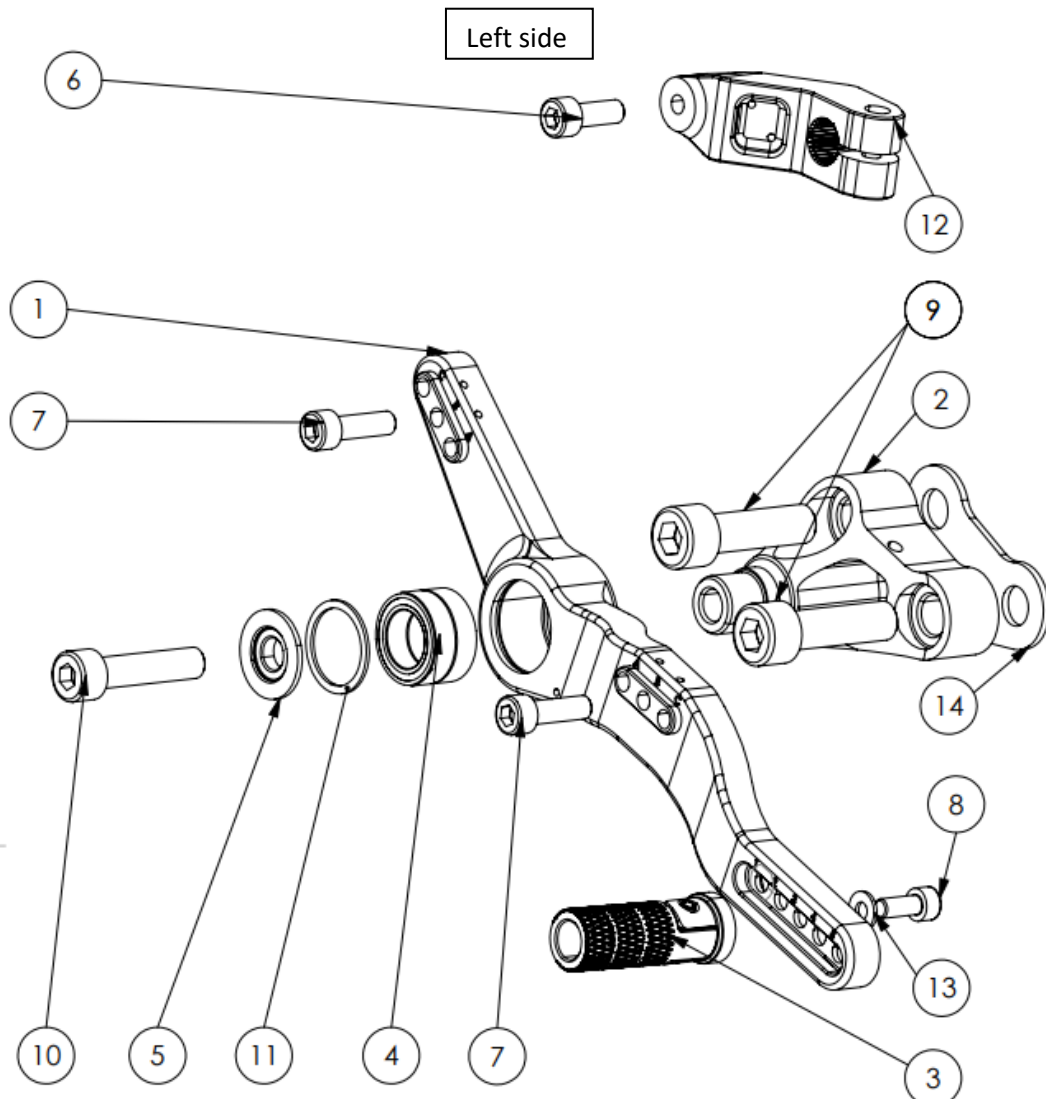
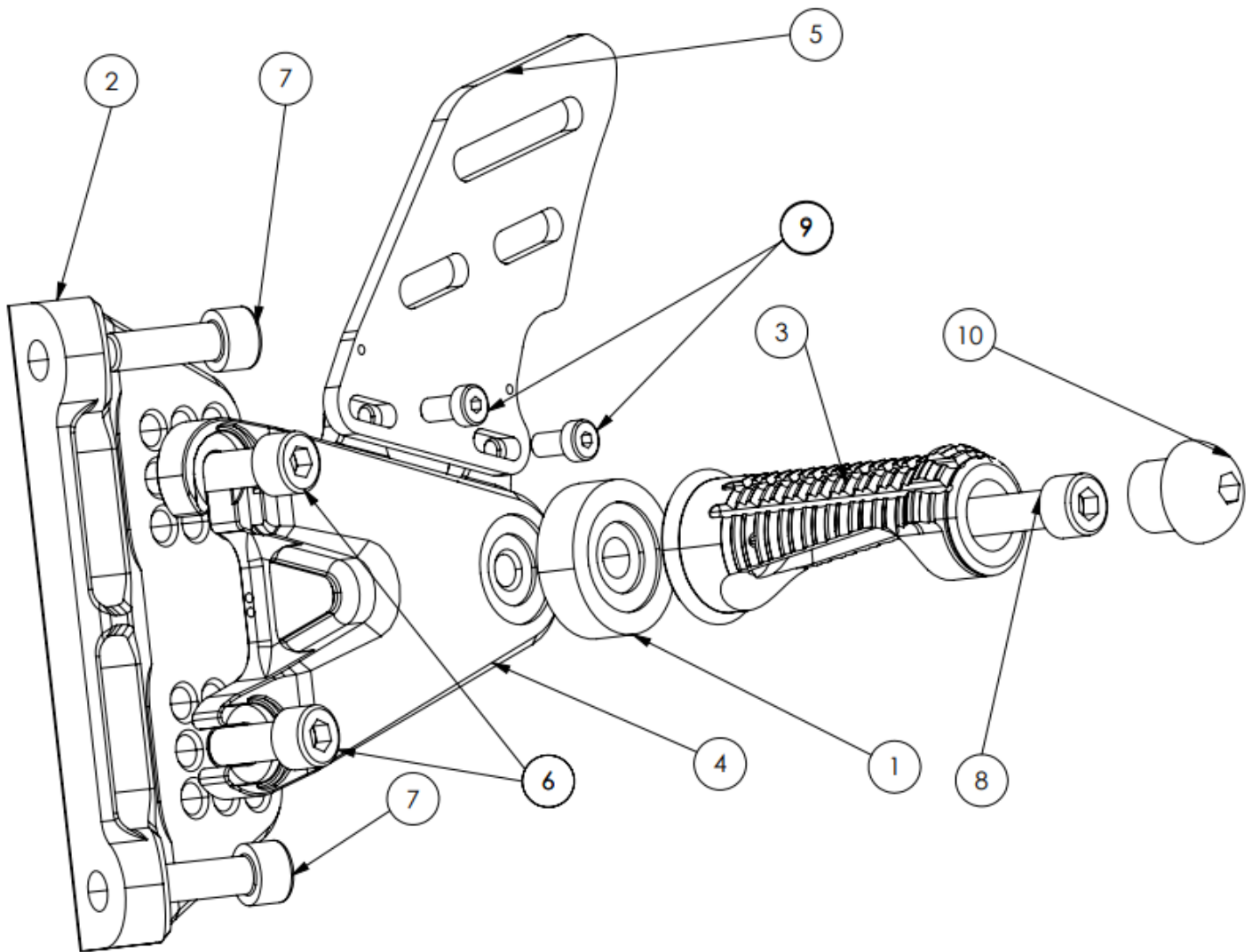


POS-NR.	Item number	Description	Quantity	Torque	Note
1	3521DC10801	Footpeg adapter to brake lever	1		
2	3521DC10901	Rear Brake lever bearing bush	1		
3	4670B214B01	Foot brake lever, naked, Gen. 2025, EWC	1		
4	0711A015B02	Bearing 61802	2		
5	4670-B219-001_X3	Heel guard, right	1		
6	4670-B227-001_X8	Adapter Plate, right	1		
7	4670-B228-001_X1	4670-B228-001_X1	1		
8	4670-B242-001_X1	Additional brake lever piece	1		
9	4670-B243-002	Eccentric brake lever adjustment	1		
10	4670-B246-001_X3	Brake lever bolt M7	1		
11	4670-B247-001_X2	Rear brake pump pressure bolt M6	1		
12	4670-B424-001_X3	Spring plate 3,5mm offset	1		
13	4670-B248-001	4670-B248-001	1		
14	4671-A235-A00-01_X2	4671A235A00	1		
15	4671A022A00	Upper spring plate	1		
16	-	Stock BMW part	1		
17	4671A019A00	Spring brake pedal	1		
18	0711A008V03	Cylinder head screw with hexagon socket M8 x 20	2	15 Nm	Install with Loctite 243
19	0711A008A04	Cylinder head screw with hexagon socket M8 x 25	2	20 Nm	Install with Loctite 243
20	0711A006A14	Cylinder head screw with hexagon socket M6 x 14	2	10 Nm	Install with Loctite 243
21	0711A008A07	Cylinder head screw with hexagon socket M8 x 40	1	20 Nm	Install with Loctite 243
22	0711A005B02	Cylinder head screw with hexagon socket M5 x 16	1	4 Nm	Install with Loctite 243
23	0711A005A10	Cylinder head screw with hexagon socket M5 x 10	1	4 Nm	Install with Loctite 243
24	0711A005D00	Screw with hexagon socket M5 x 10	2	4 Nm	Install with Loctite 243
25	0711A006Z02	Lock washer 6,3mm	1		
26	0711A005Z02	Lock washer 5	1		
27	0711A065B00	Safety pin D 1,2x22	1		
28	0711A006A02	Cylinder head screw with hexagon socket M6 x 16	1	10 Nm	Install with Loctite 243
29	4671A018A00	Footrest cover for BMW S1000RR	1		



POS-NR.	Item number	Description	Quantity	Torque	Note
1	4670B211B01	Gearshift lever	1		
2	4670-B212-001	Gearshift lever support	1		
3	4670-B248-001	Folding lever complete	1		
4	0711A015B02	Bearing 61802	2		
5	4670-B432-011	Gearshift lever washer	1		
6	0711A006R04	Hex flange bolt M6 x 20	1	10 Nm	Install with Loctite 243
7	0711A006A03	Cylinder head screw with hexagon socket M6 x 20	2	10 Nm	Install with Loctite 243
8	0711A005A10	Cylinder head screw with hexagon socket M5 x 10	1	4 Nm	Install with Loctite 243
9	0711A010B35	Cylinder head screw with hexagon socket M10 x 35	2	50 Nm	Install with Loctite 243
10	0711A008A06	Cylinder head screw with hexagon socket M8 x 35	1	20 Nm	Install with Loctite 243
11	0711A600I24	Safety pin 24x1,2mm	1		
12	2341DA10901	Gearbox lever	1		
13	0711A005Z02	Lock washer 5	1		
14	4670-B213-001	Spacer shift lever support 2mm	1		



POS-NR.	Item number	Description	Quantity	Torque	Note
1	4671DC11800	LH footpeg spacer	1		
2	4670-B228-001_X1	Footrest bracket	1		
3	4671A235A00	Footpeg	1		
4	4670-B229-001_X4	LH footpeg holder	1		
5	4670-B221-001_X5	LH heelprotector	1		
6	0711A008C03	Cylinder head screw with hexagon socket M8 x 20	2	15 Nm	Install with Loctite 243
7	0711A008A04	Cylinder head screw with hexagon socket M8 x 25	2	20 Nm	Install with Loctite 243
8	0711A008A07	Cylinder head screw with hexagon socket M8 x 40	1	20 Nm	Install with Loctite 243
9	0711A005D00	Cylinder head screw with hexagon socket M5 x 10	2	4 Nm	Install with Loctite 243
10	4671A018A00	Footrest cover for BMW S1000RR	1		